

The Hemp Tower

Climb up this watchtower, made from natural materials, to discover nature is not as far away as it seems at the Pieter de Pieter de Hoochweg

The starting point for this tower was a fast growing, versatile plant: hemp. Using both the fibers for textile and the wood for a wattle and daub mix. Because these materials are relatively light weight, it is possible to apply them in a high, wooden structure.

Walking around at the Pieter de Hoochweg, you feel like you're surrounded by buildings, cars and streets. But if it would be possible to look from a bit higher, suddenly there is the river, big trees and city wildlife.

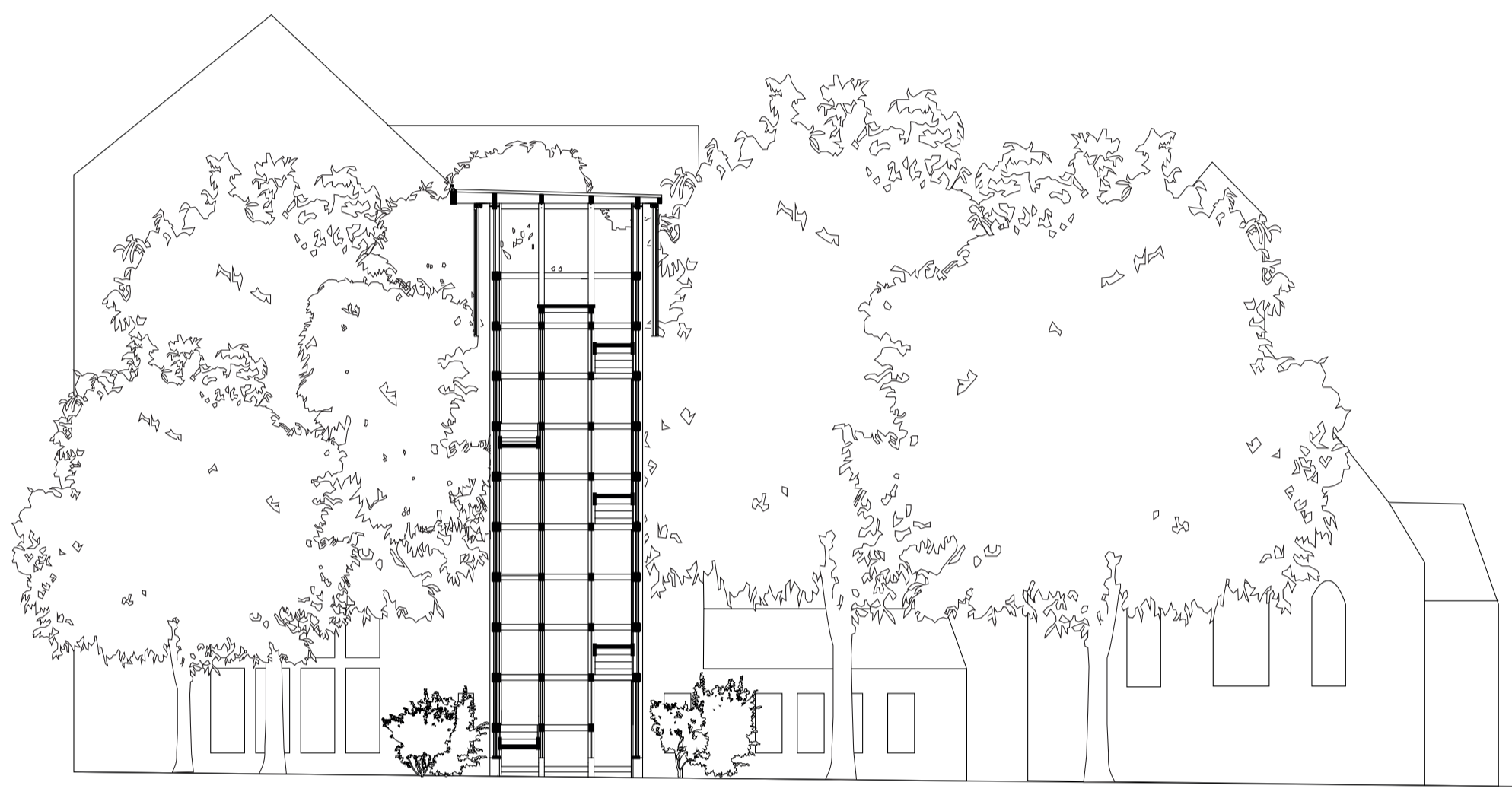
This watchtower enables people to emerge themselves into the bits of nature, by framing views to these spots and being surrounded by natural materials. Birds are attracted to the tower by nests, hidden in the facade elements.



Situation
1:1000

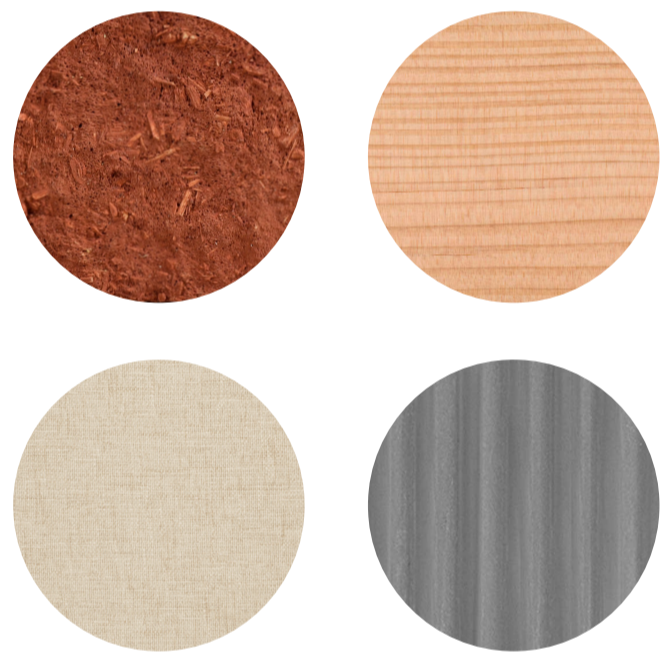


Situation
1:200

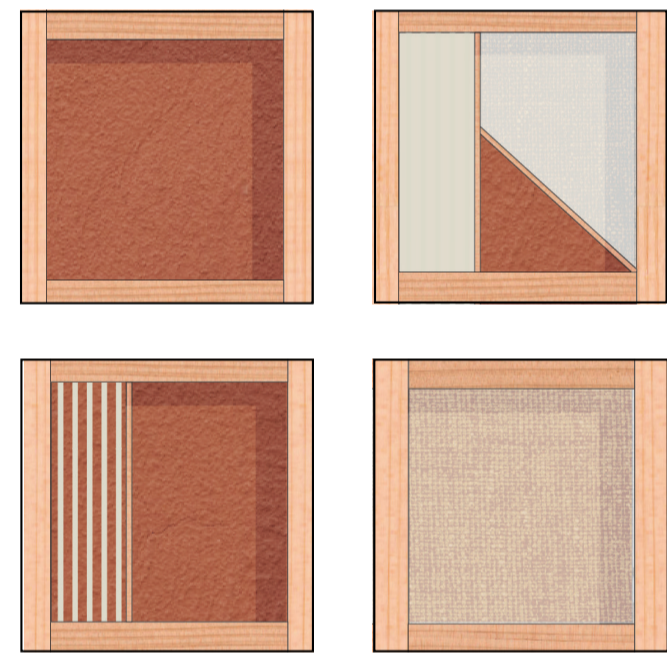


Section 1:150

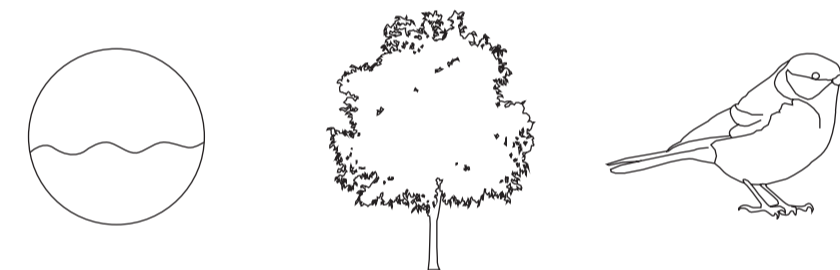
A tower made out of natural and reused materials



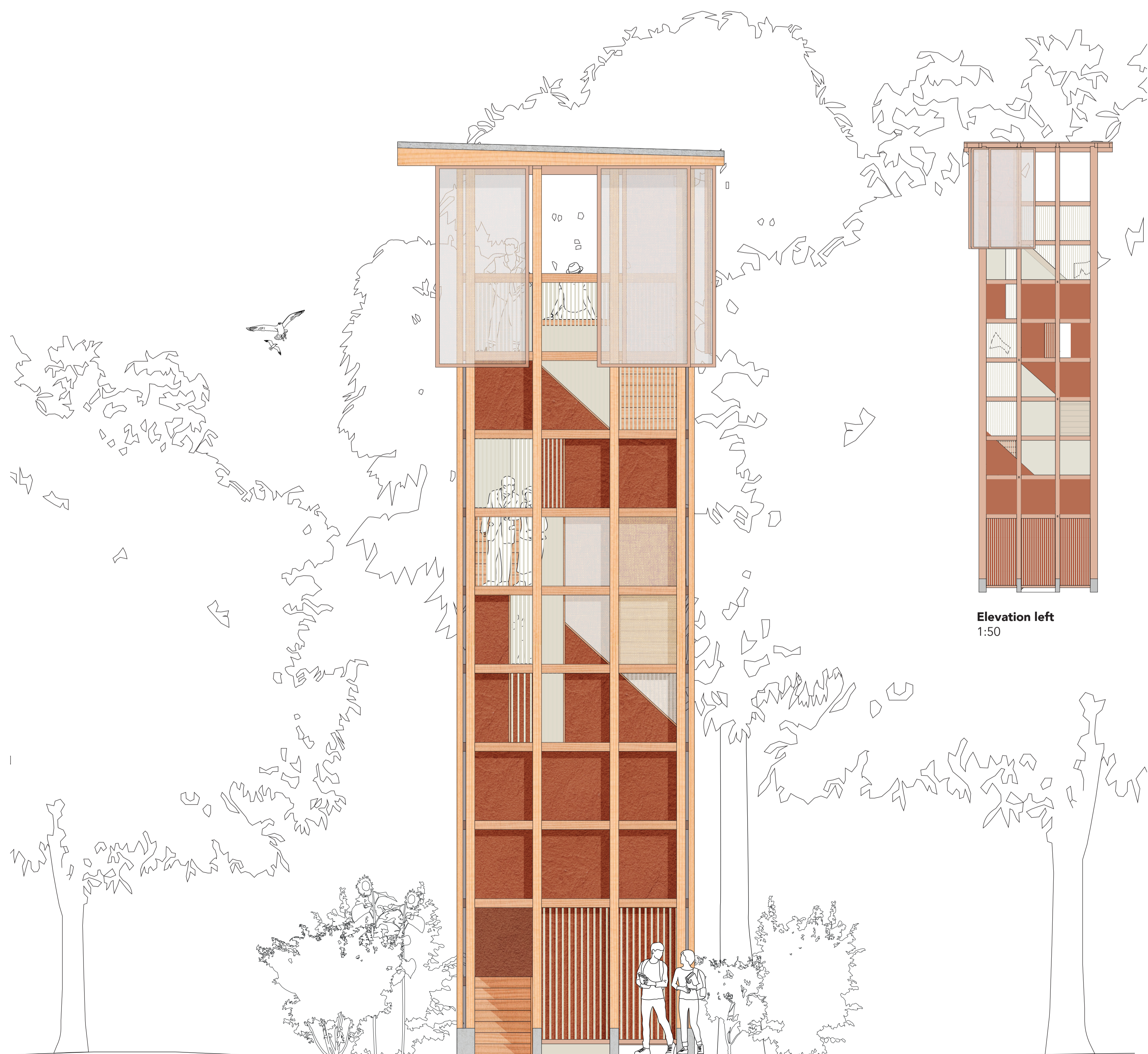
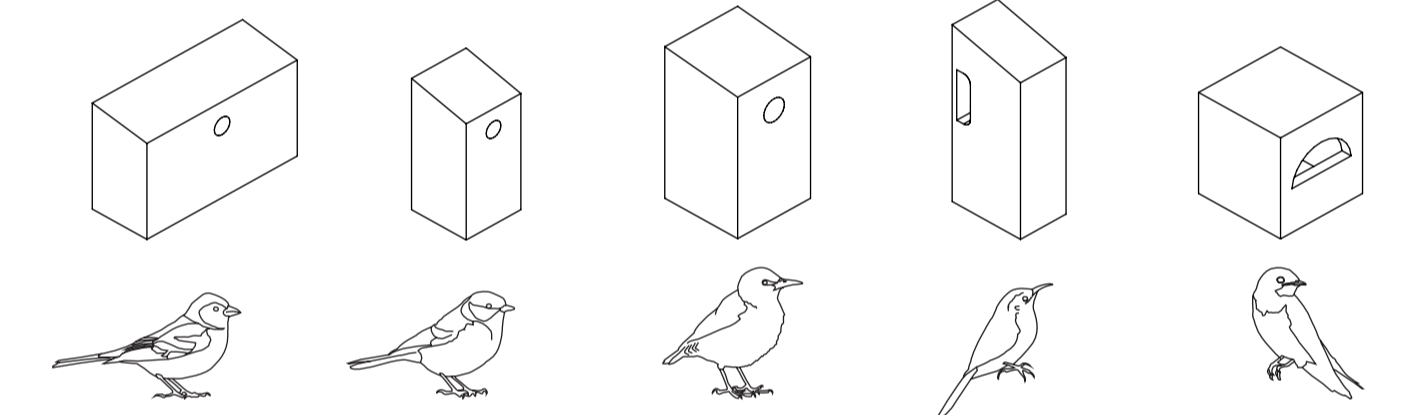
The different facade elements frame views and make for a varied walk up



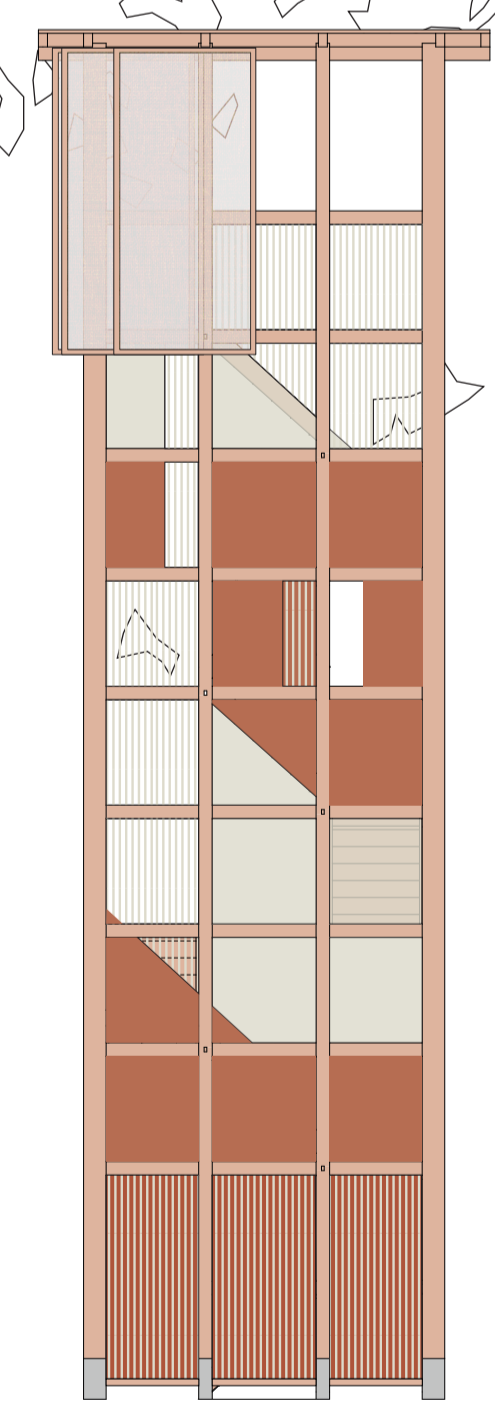
Connecting visitors to hidden nature around



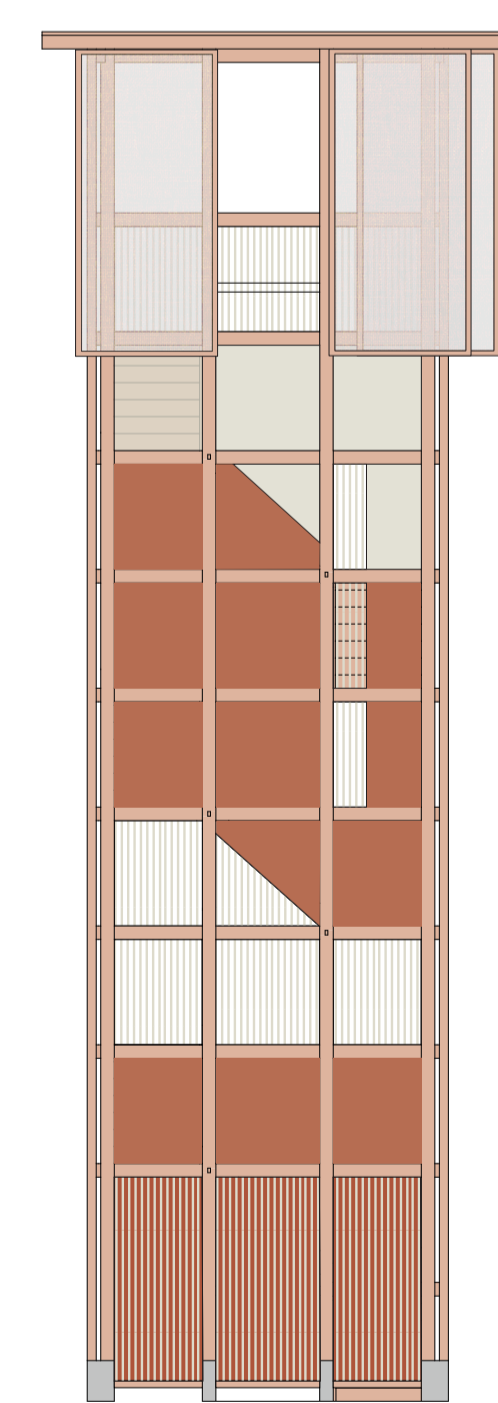
Hidden in the facade are nests that host different birds



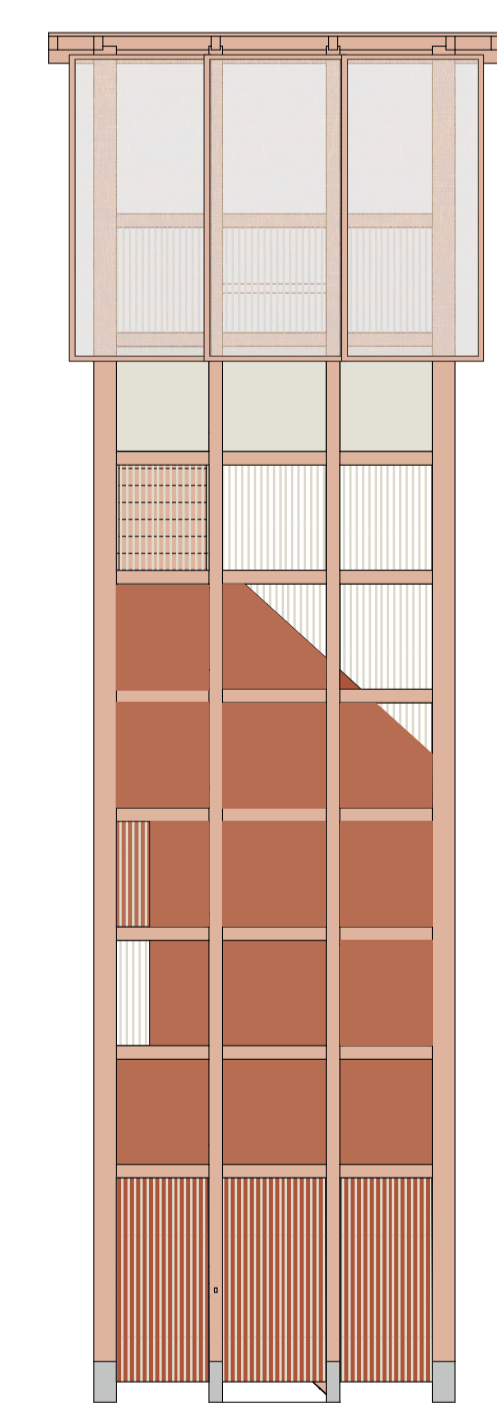
Elevation Front
1:50



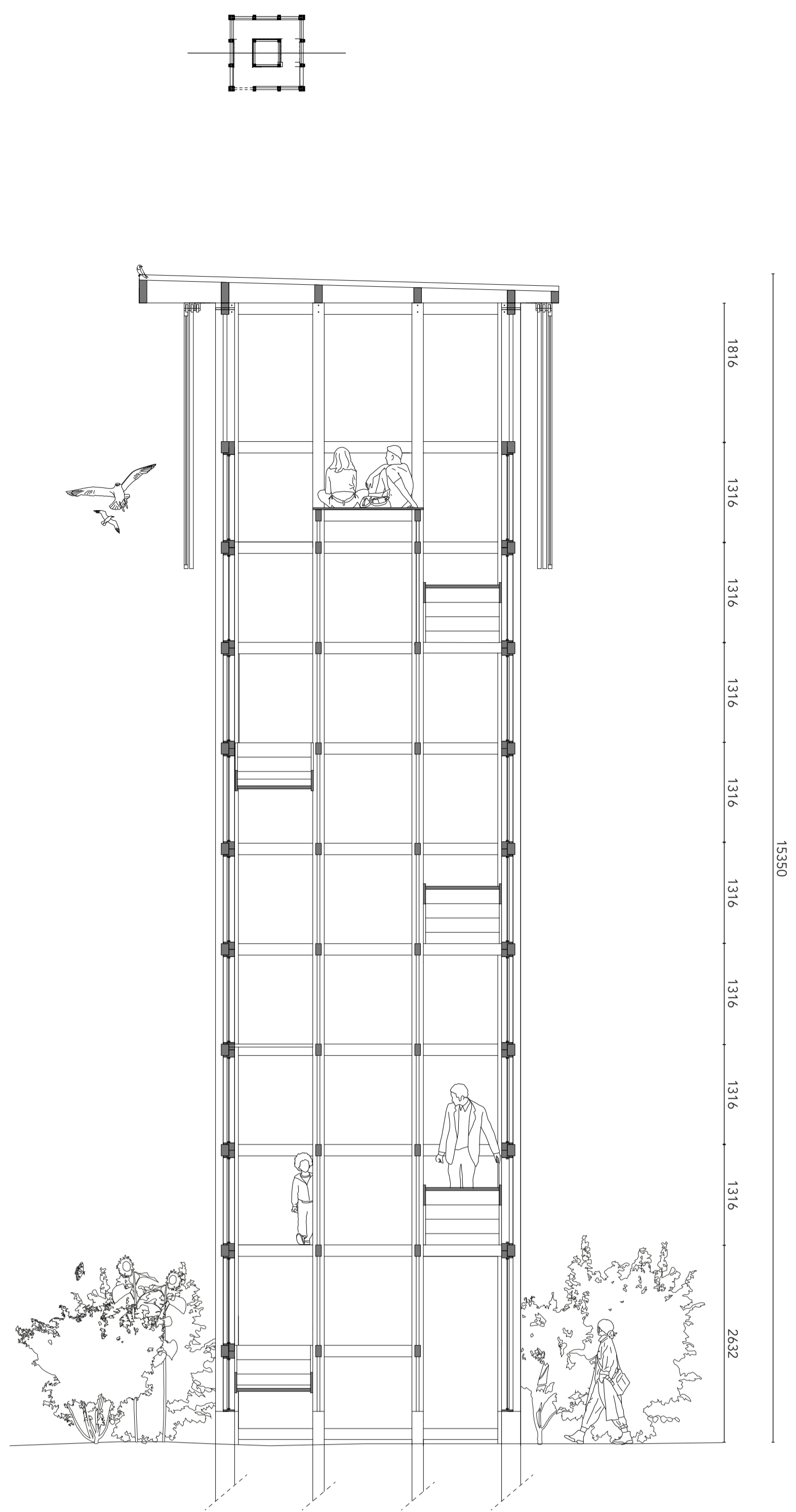
Elevation left
1:50



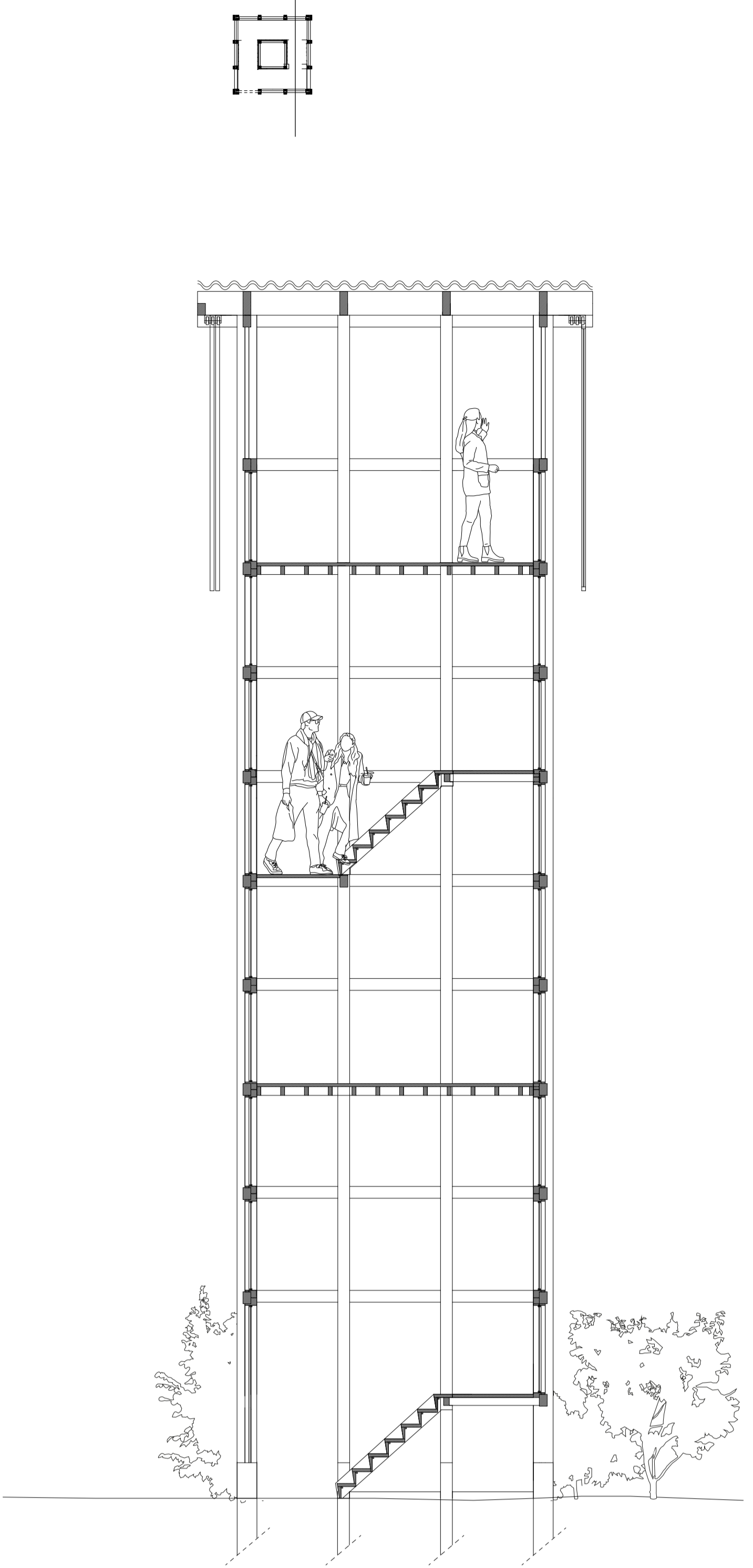
Elevation back
1:50



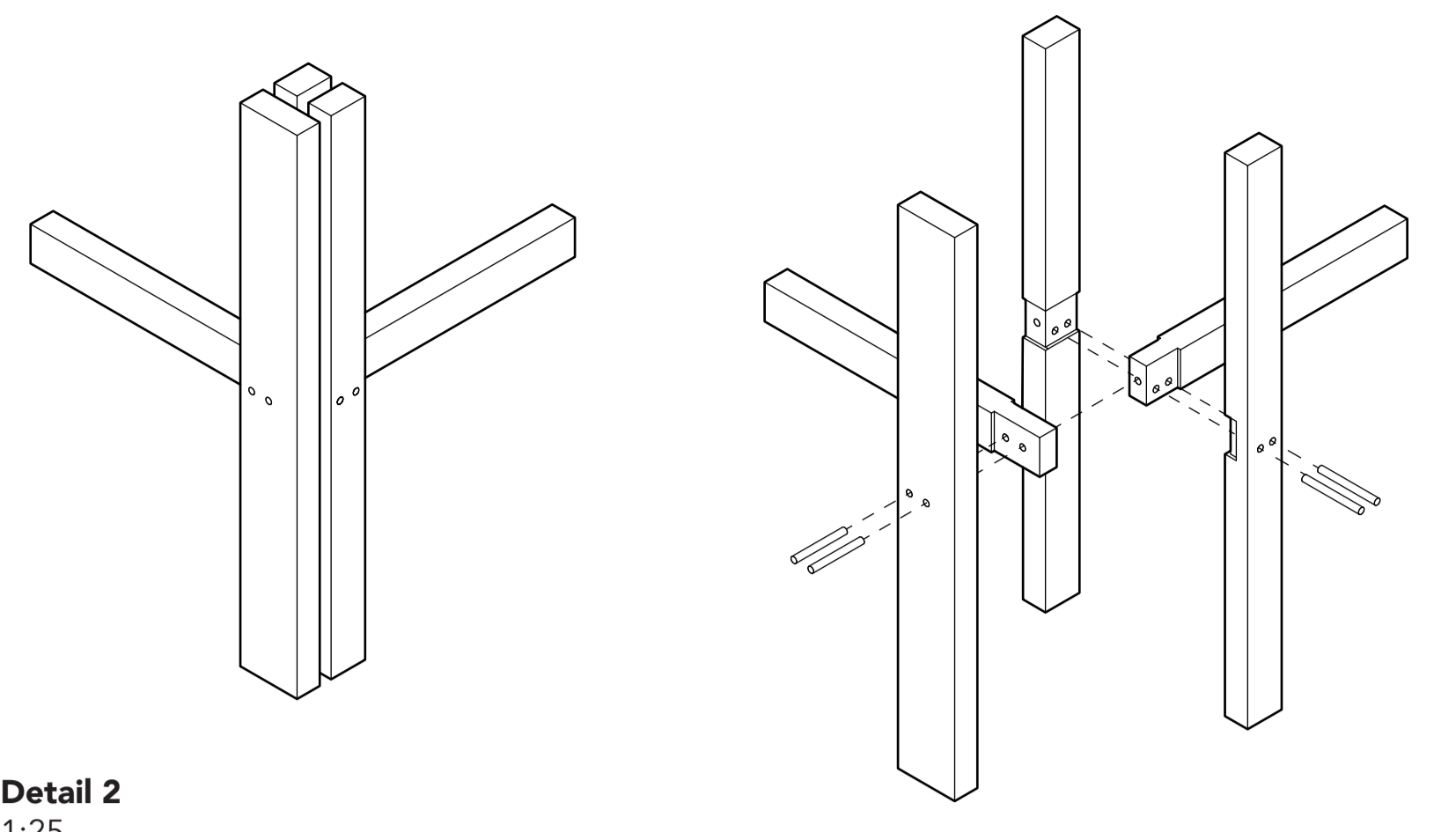
Elevation right
1:50



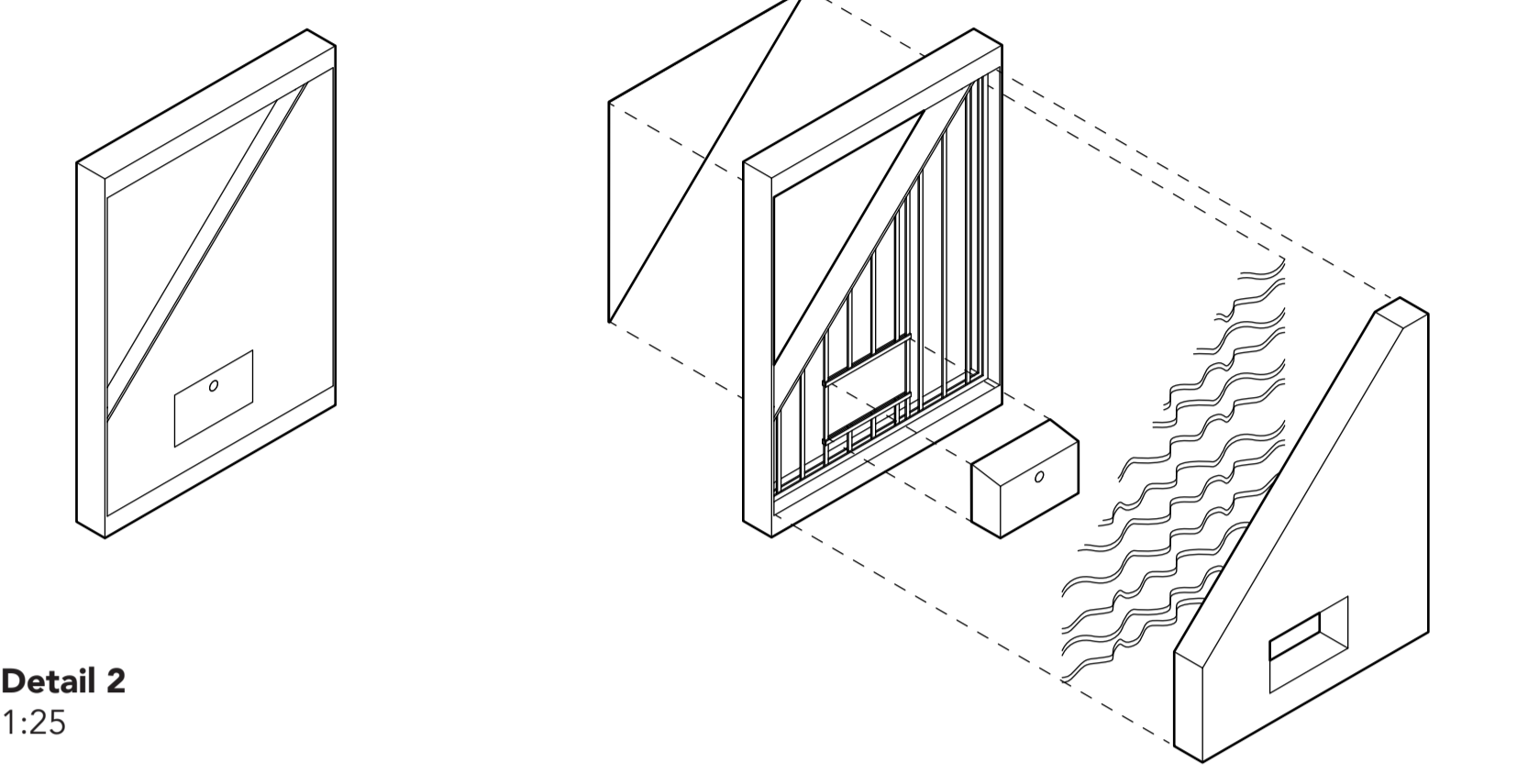
Section AA
1:50



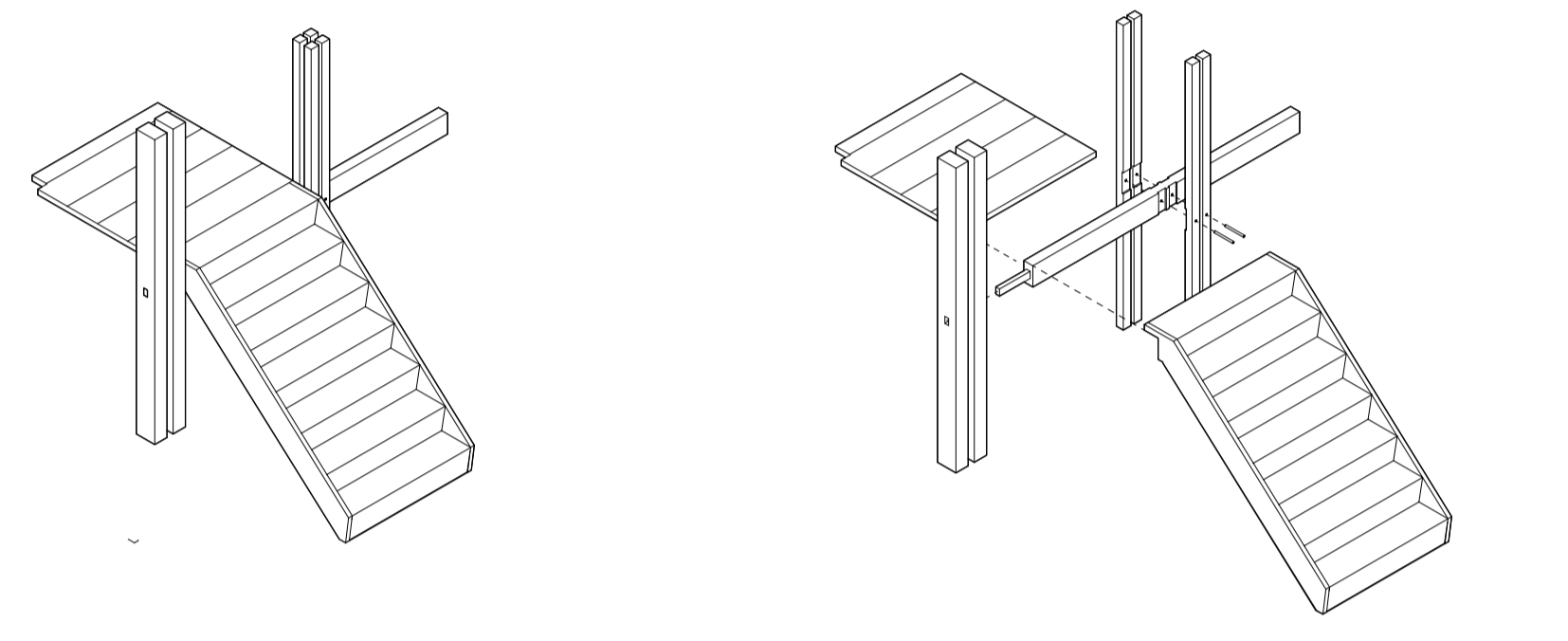
Section BB
1:50



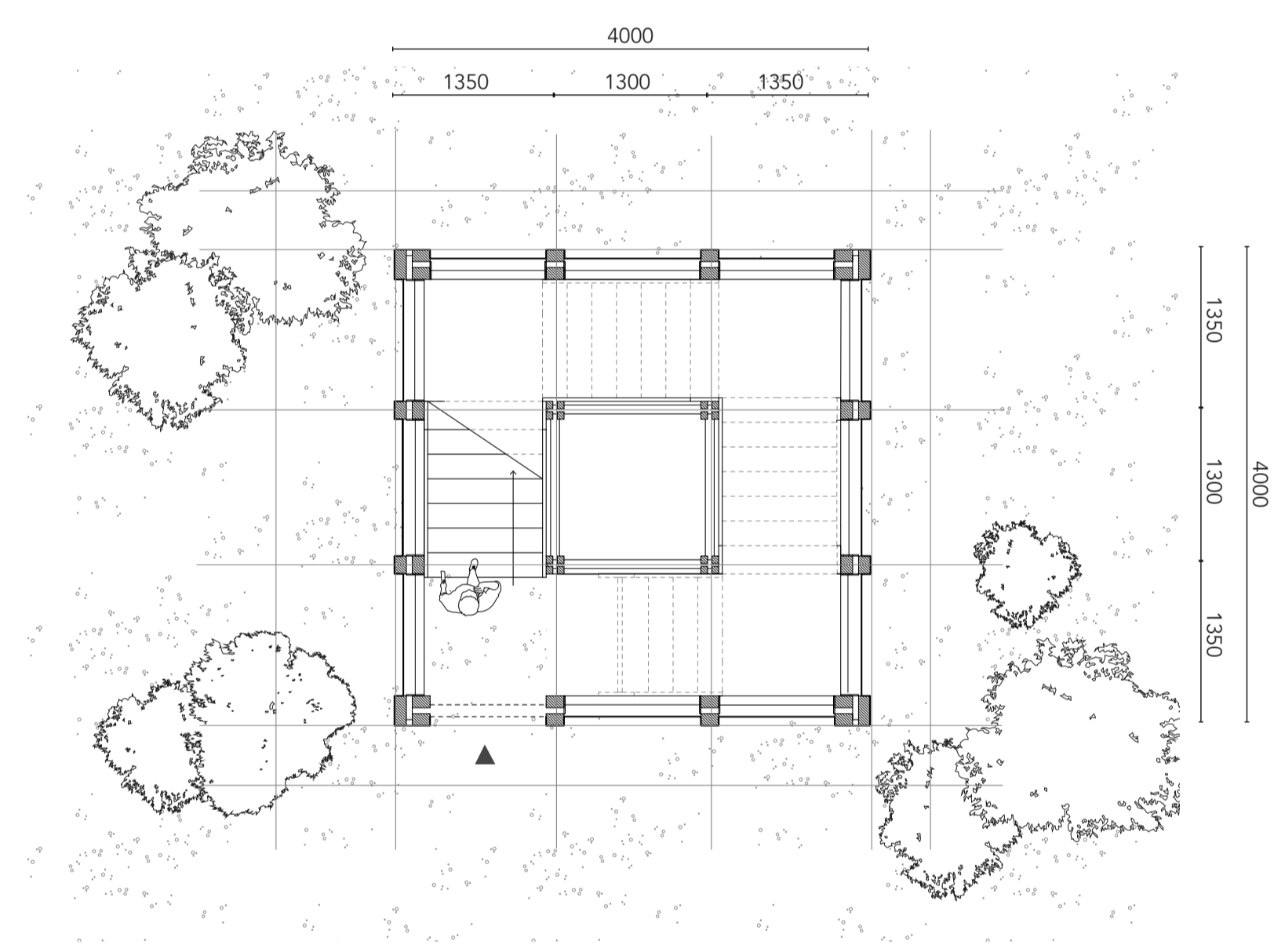
Detail 1
1:25



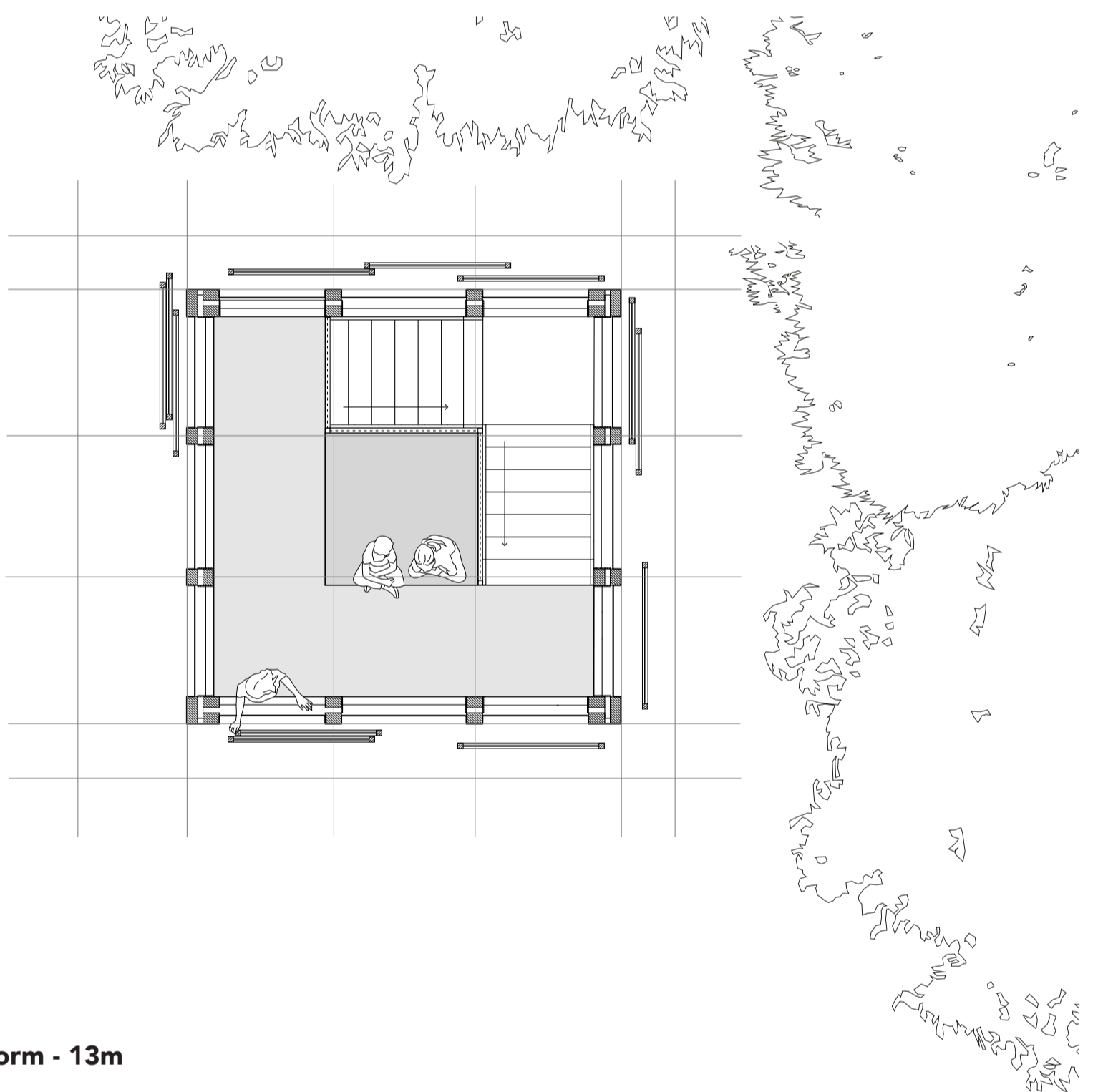
Detail 2
1:25



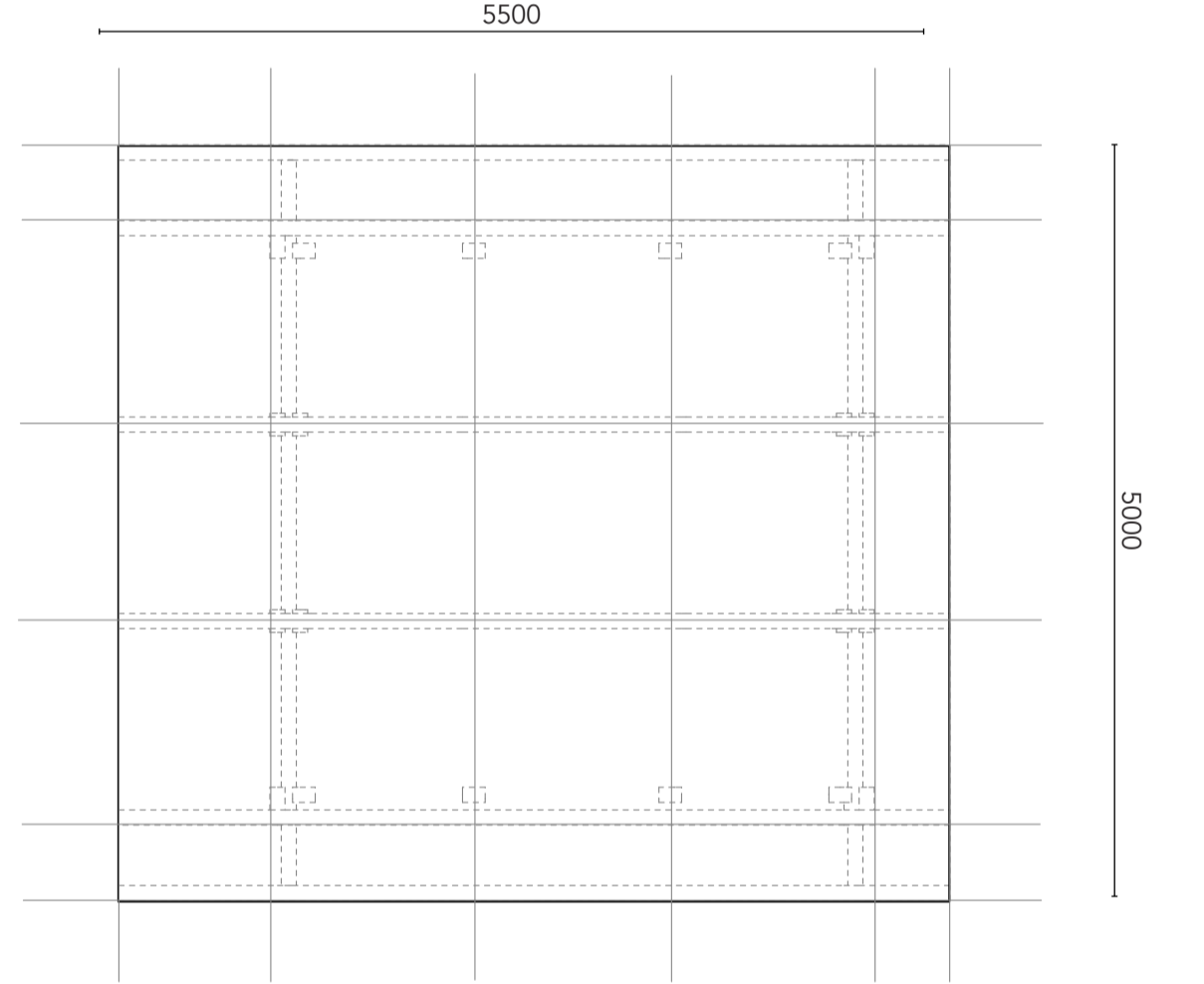
Detail 3
1:50



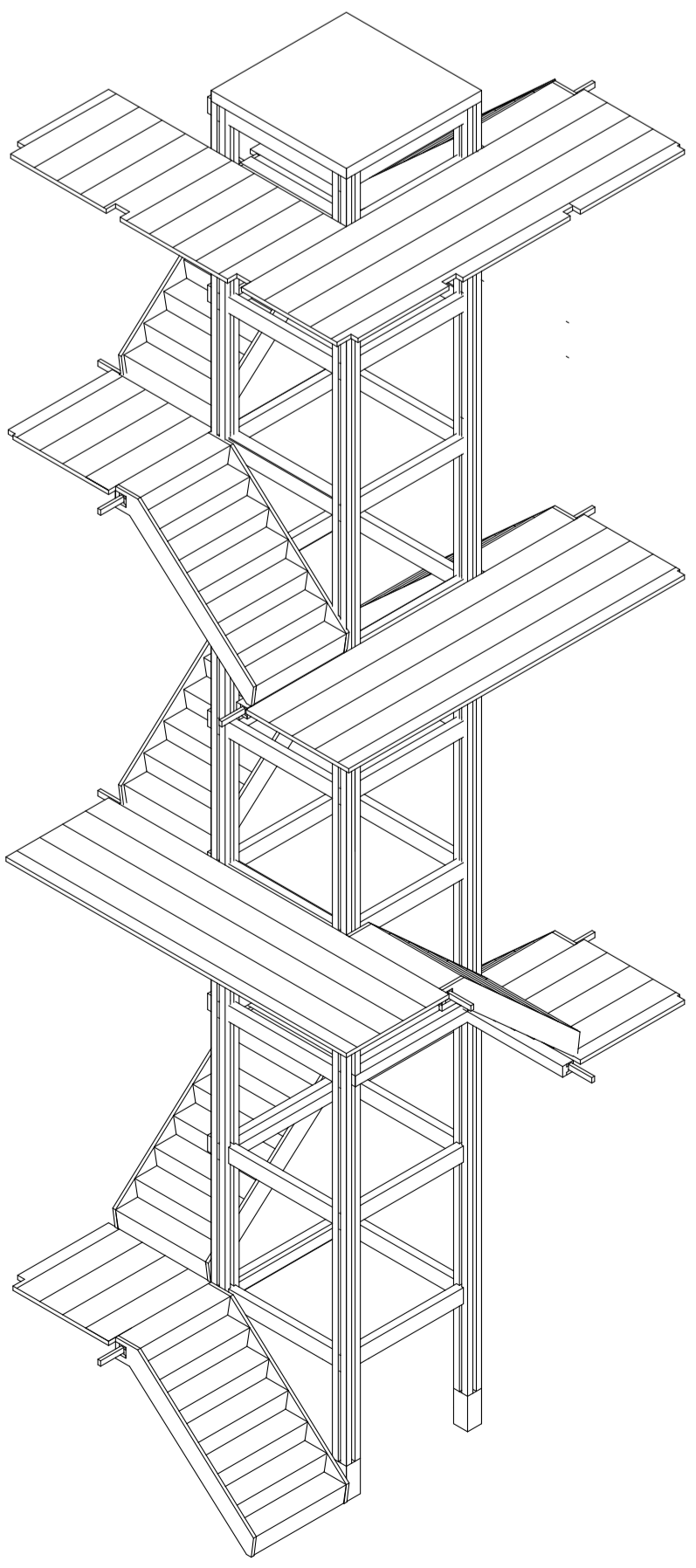
Plan ground floor
1:50



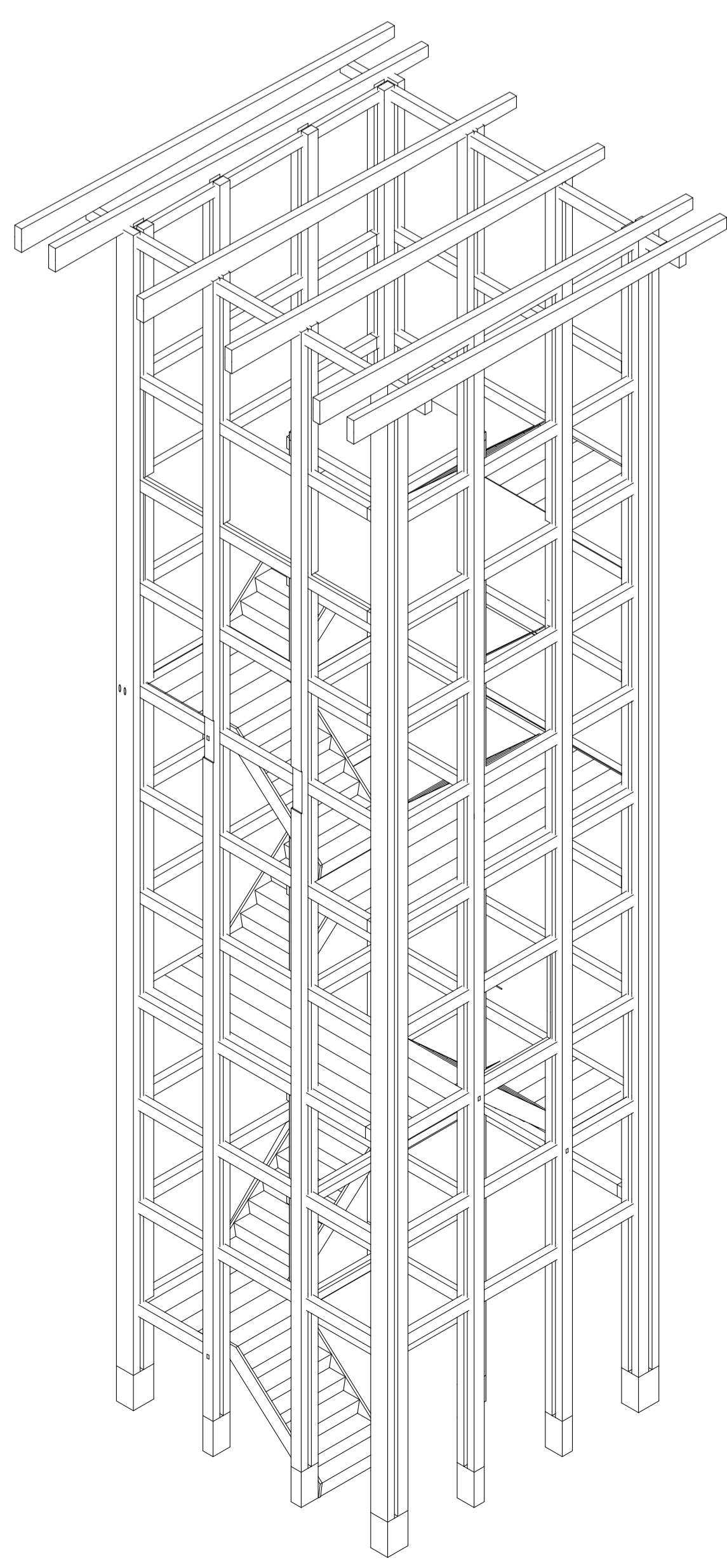
Plan platform - 13m
1:50



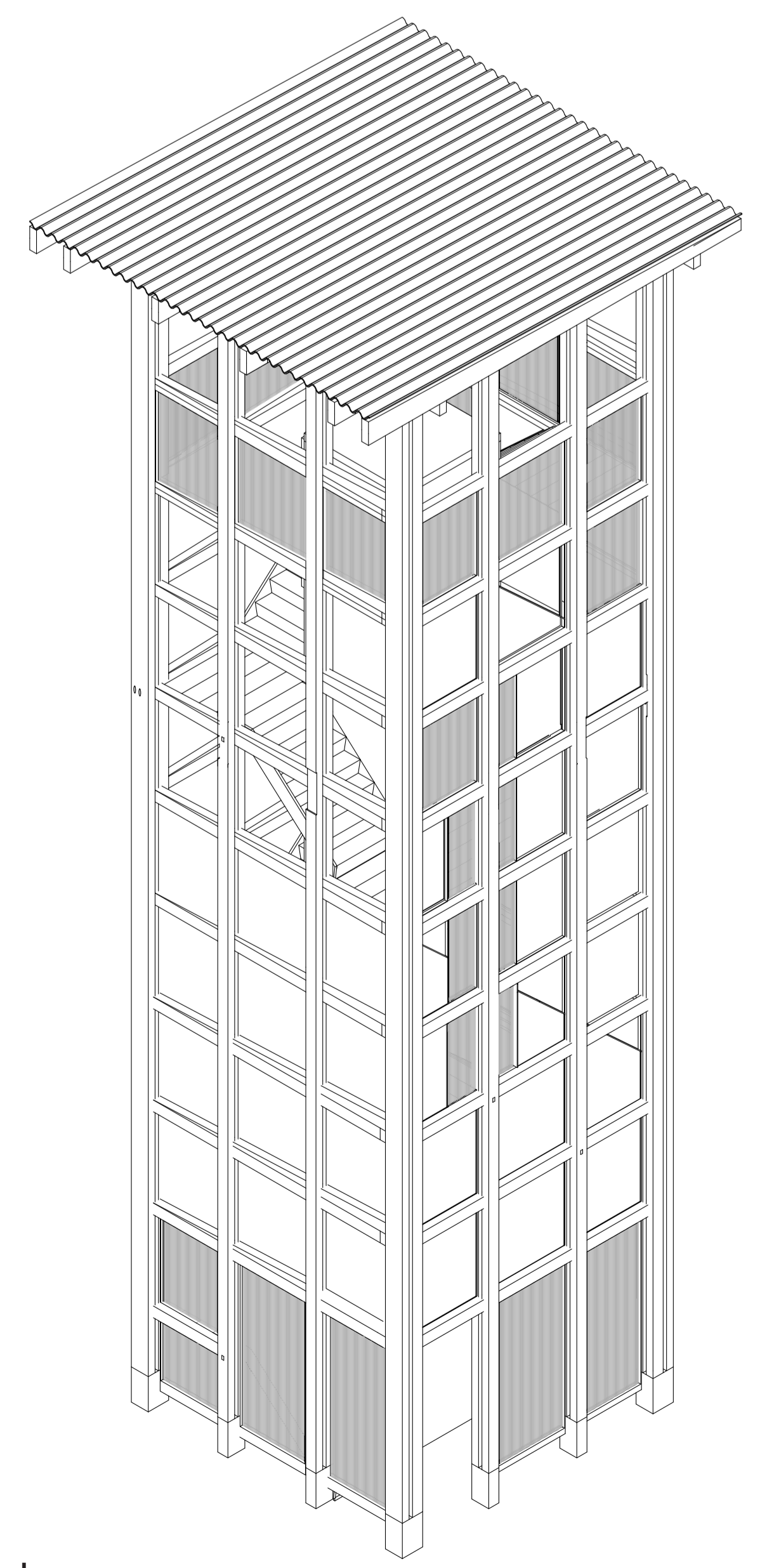
Plan roof
1:50



Core with stairs
1:50



Timber structure
1:50



Facade panels
1:50