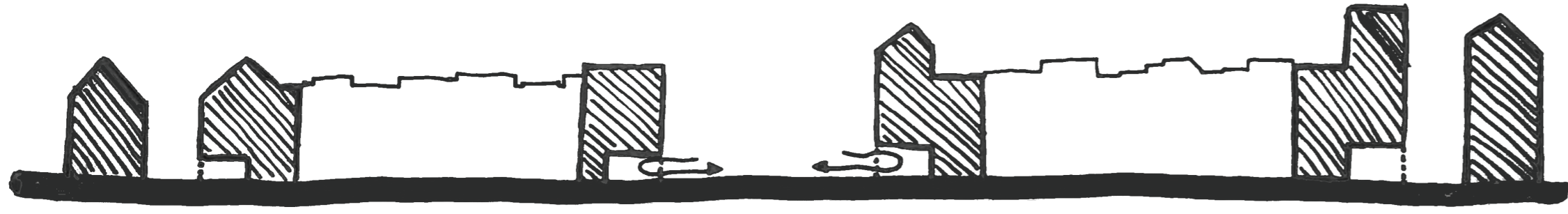
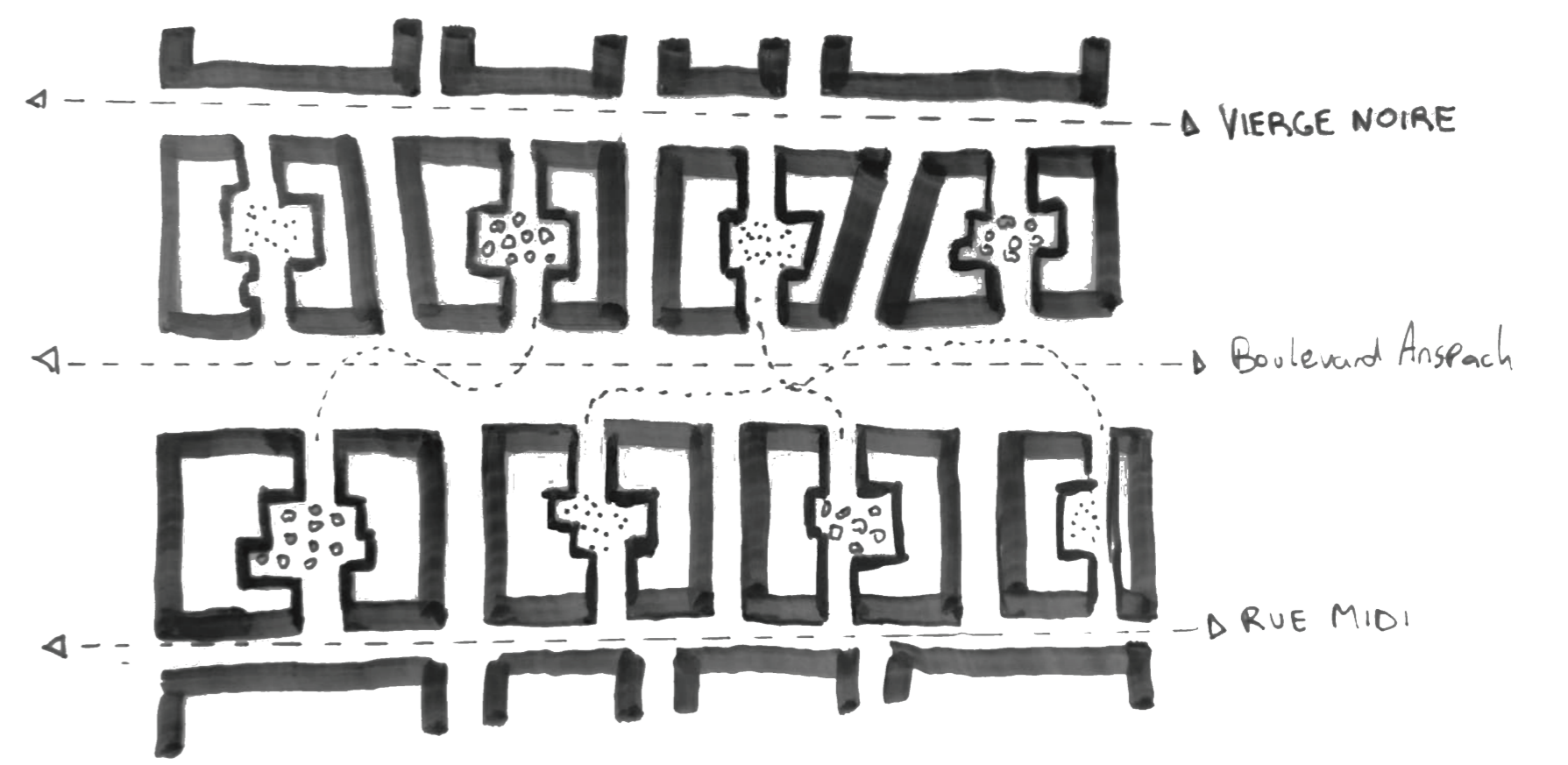
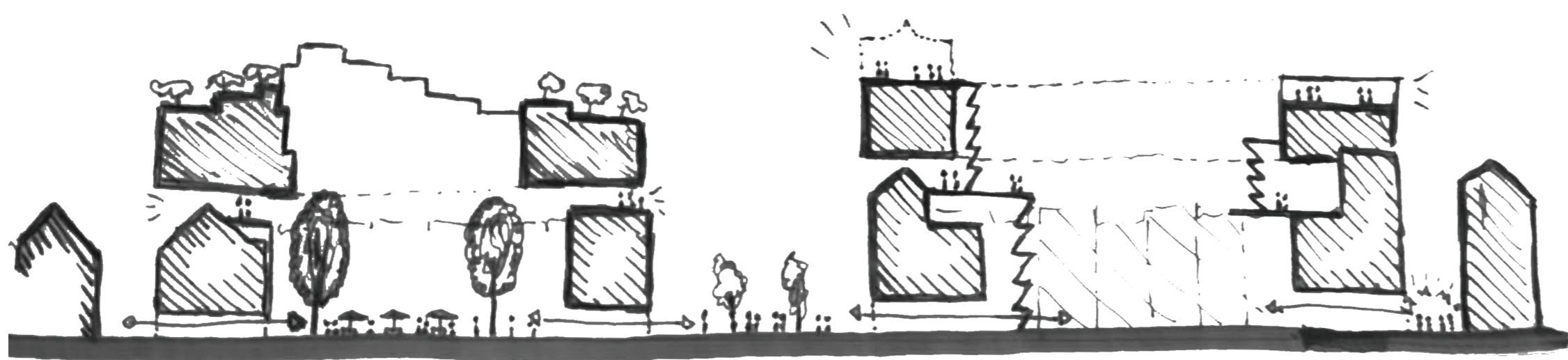


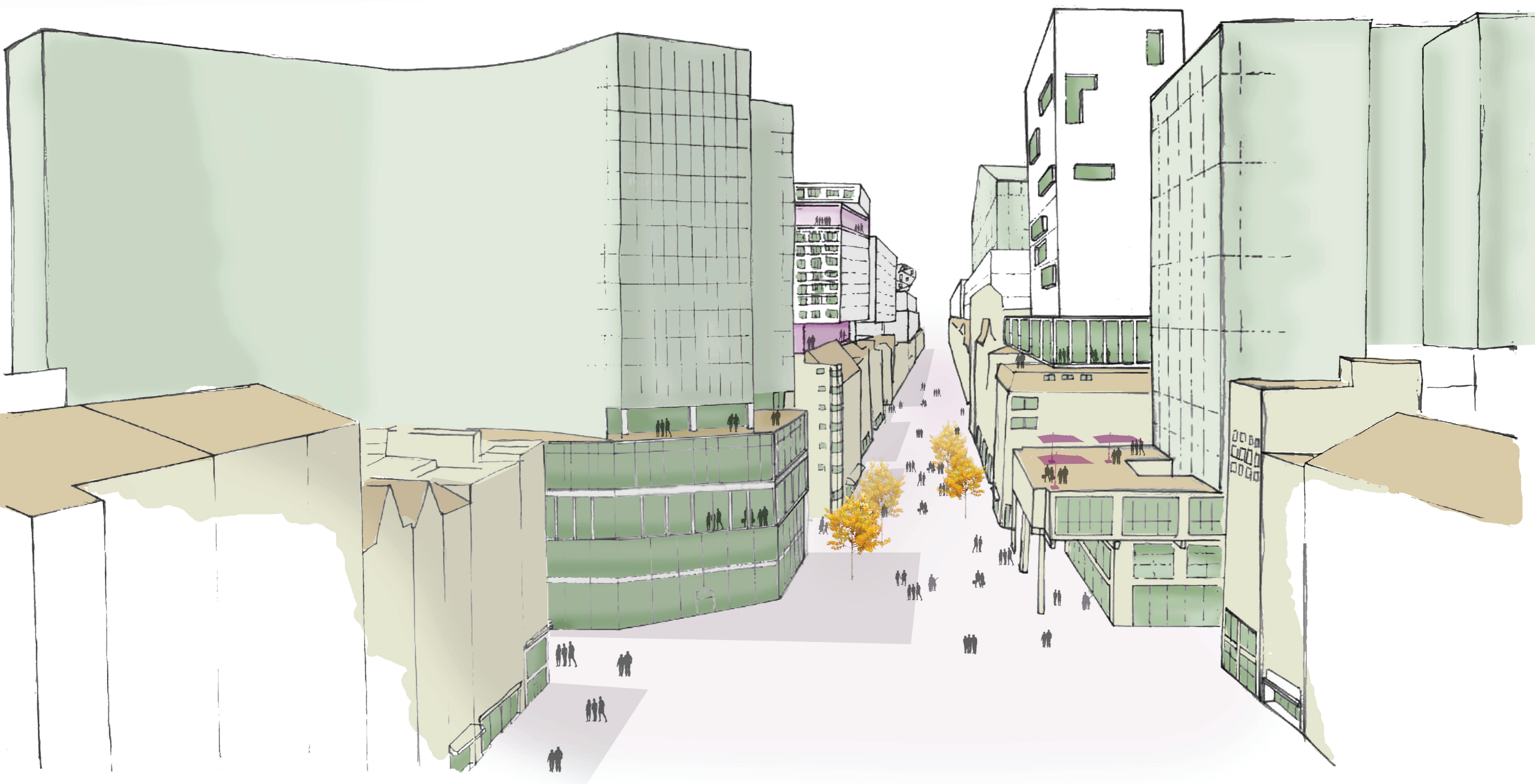
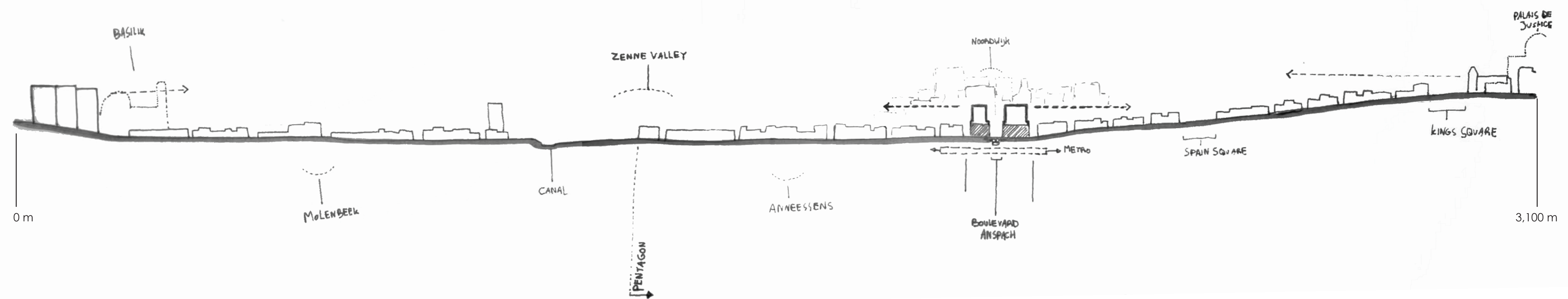
Anspach Great Coral Reef



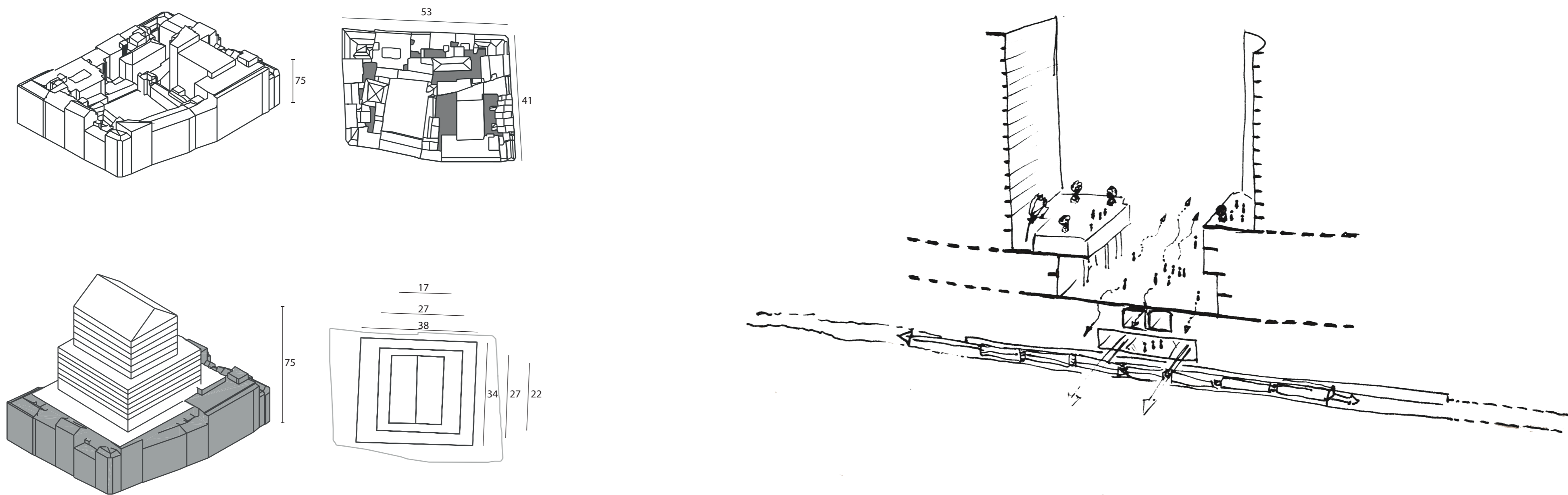
The Boulevard current situation



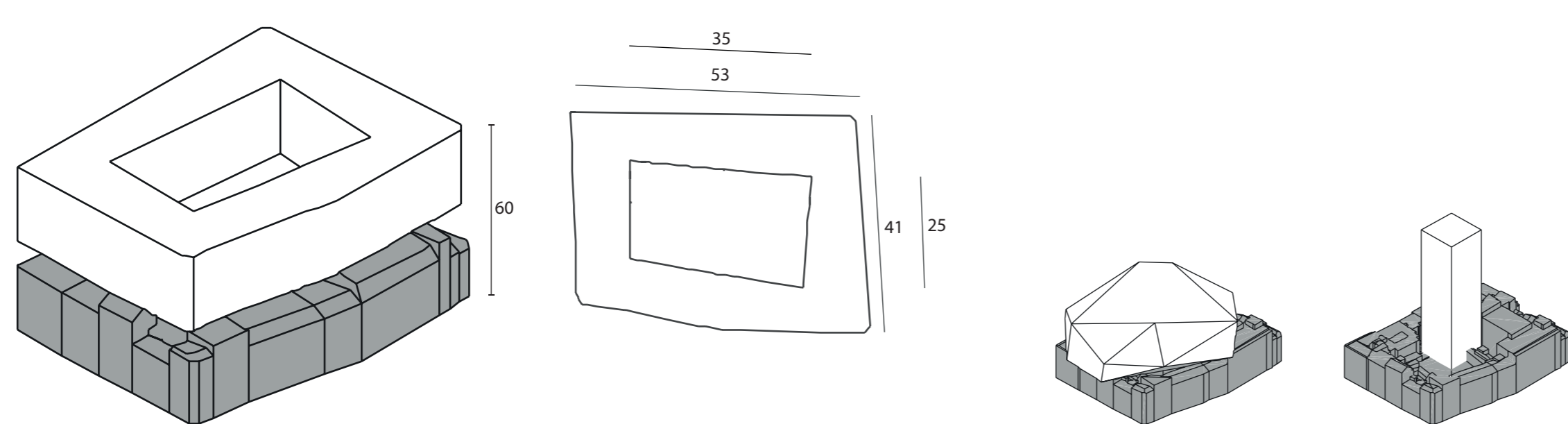
The Boulevard visioned with new opened up volumes



The Boulevard Anspach from Place De Brouckere



Section A Trapeze building 1:500



Section B Hull building 1:500